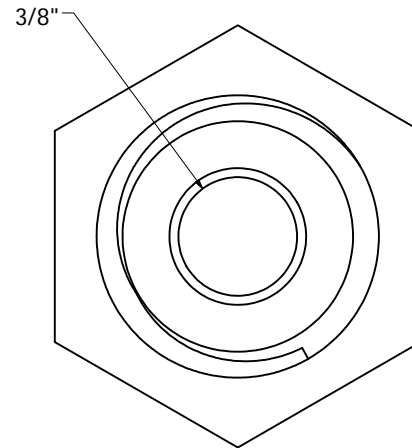
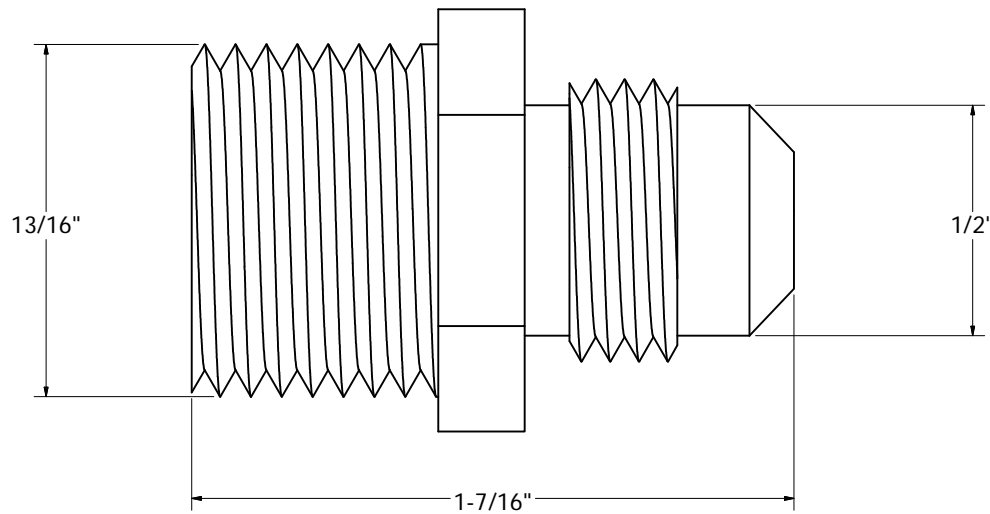
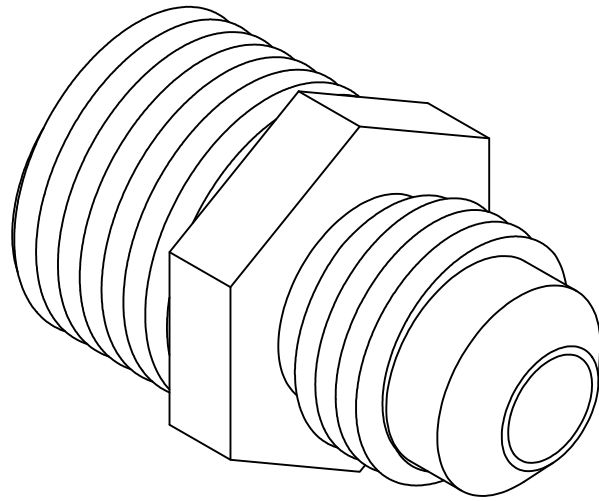


FLARE X MIP HALF UNION PLUMBEST 45° FLARE TUBE FITTINGS



PHONE NUMBER
1-800-355-6637
FAX NUMBER
1-800-462-6991
SCALE
4.5 : 1
DATE
5-04-12
SHEET
1 OF 1
DRAWN BY
ASHLEY KRALOVEC

PART NO.	F40067	F40068	F40069	F40070	F40071
TUBE X MIP	3/8" X 1/8"	3/8" X 1/4"	3/8" X 3/8"	3/8" X 1/2"	3/8" X 3/4"